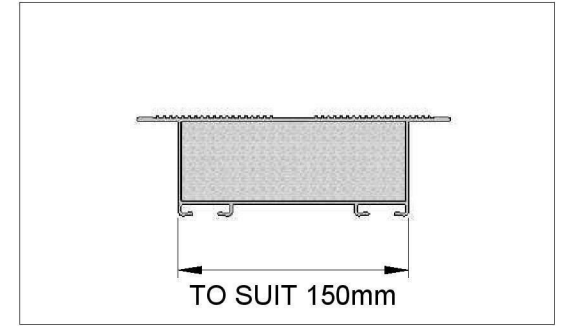
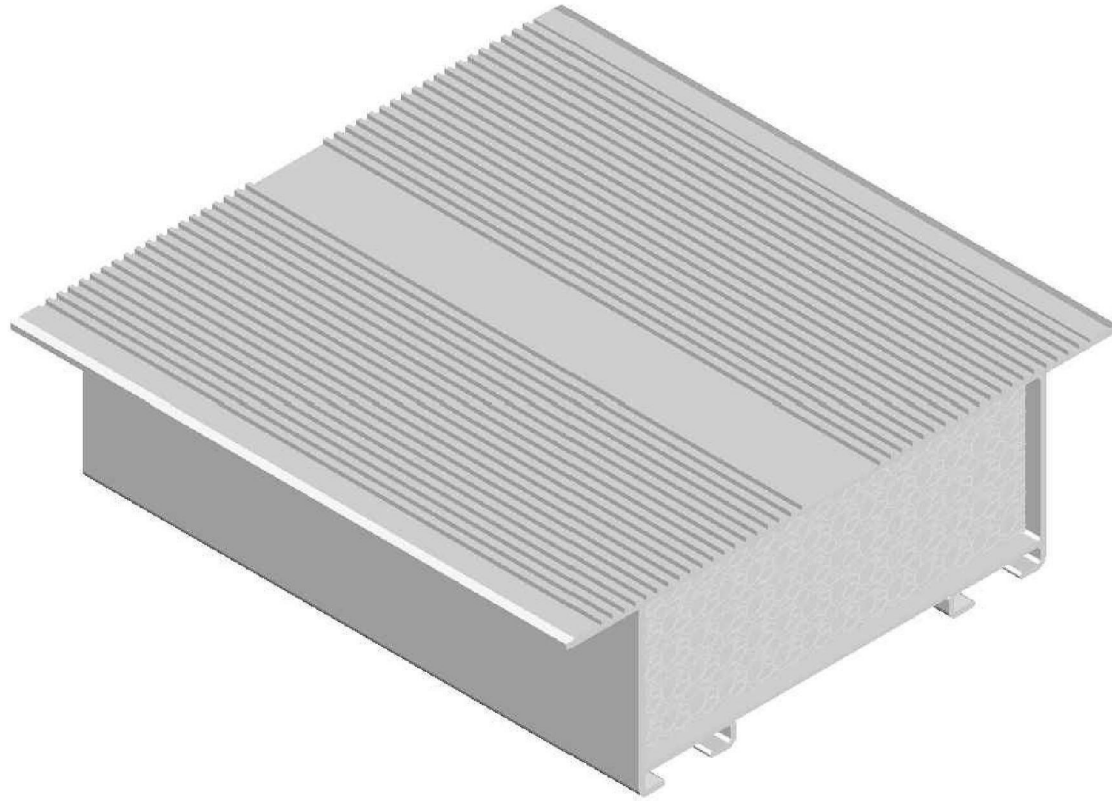


# Product Data Sheet - Cavity Closer

## STRUCTURAL 150HOR44



### Product Information

Part No:	MCBPSTR150HOR44
Application:	For use with flush brickwork
Pack Size:	32 x 4.4m
Packaging:	Polythene shrink wrapped bundle on plastic bearers
Pack Weight:	260kg
Compatibility:	Part No: BBSFIL, BBMOU, BBTIE
Reports:	BBA & BRE
R-Min Value:	Min. Thermal Res. 0.77W/mK <sup>2</sup>
Psi Values:	Sill - 0.039W/mK Jamb - 0.041W/mK (BRE ip 1.06)
Materials:	Post consumer recycled PVC-U Compacfoam CF100 Insulation
Colour:	White
Length:	4.4m
Install/Fabricate:	Full technical manual available

STR150HOR44



BBMOU



BBSFIL



BBTIE